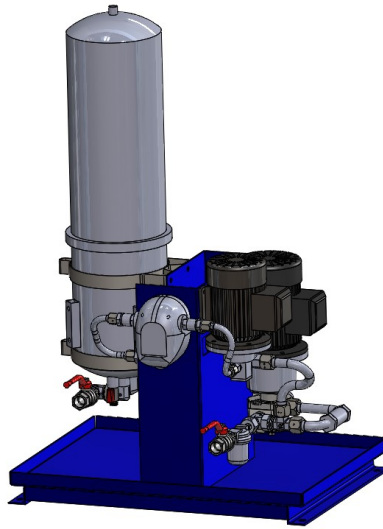


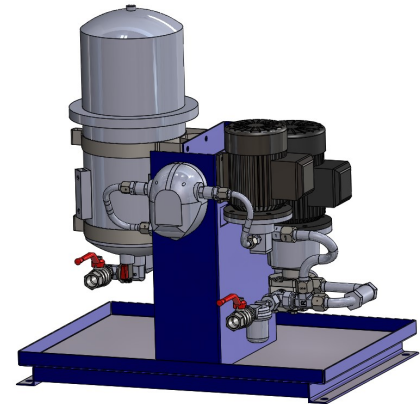


Triple R

AF Series



AF-500



AF-300

Features

- Remove 99% of solid particles, absorb water, eliminate sludge, varnish, soot, carbon and other oil oxidation products
- Stand alone system can operate independent of main system
- Optional Particle counter and Aqua sensor to continually monitor the health of your oil
- Mounting holes for ease of installation in a variety of areas

Benefits

- Increase Hydraulic Component and oil life through optimised oil conditioning
- Reduce operating cost by reducing oil consumption, and waste oil while extending full flow filter life
- Reduce machine downtime by allowing safe element change while system is operating
- Increase oil life by up to 40,000 hours
- Simple installation and servicing procedure
- Increase full flow filter life

Accessories and Options



Aqua Sensor

Monitor water level in oil for early indication of breather bypass or heat exchanger failure.



Particle counter

Particle counters can be added to any Triple R filter to monitor the cleanliness of incoming oil in order to trend system condition.



Oil condition Sensor

Monitor key oil statistics such as; particle count (ISO 4406:2017), wear particle recognition, water content, temperature and oil oxidation.



Remote monitoring and recording

Monitor the current condition and past trends of your oil to predict and prevent unplanned down-time.



Tank adaptor kit

Adapts for standard tank filler/breather connection to inlet/outlet and desiccant breather connection point.



Installation and Service Plans

Plans to help you install and maintain the product for its life

a. 54 Indian Drive, Keysborough, Victoria, 3173, Australia

t. +613 5134 5345 | f. +613 5133 9001

e. info@triple-r-filtration.com.au

w. <https://triplerfiltration.com.au/>

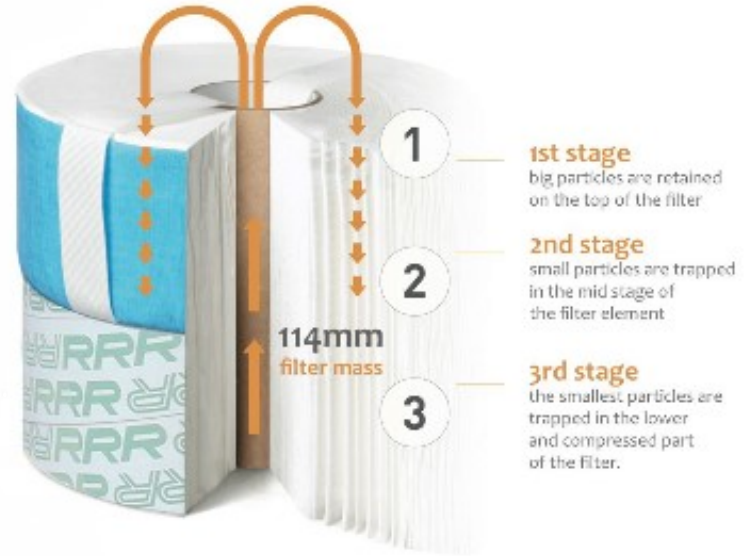


Triple R



RRR Filtration Technology

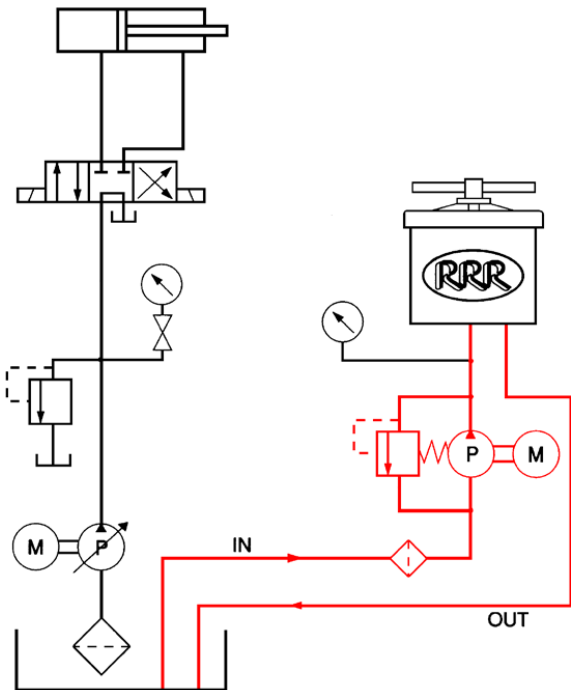
Triple R filters are constructed from specially engineered cellulose media, wound around a central supporting core. The combination of Triple R's special cellulose material and the thickness of the element allows absorbing of water and sludge. The lower part of the element is compressed by a cardboard ring, creating an even finer final filter medium.



Sizing and Installation

Typical Installation:

Connection to existing reservoir.

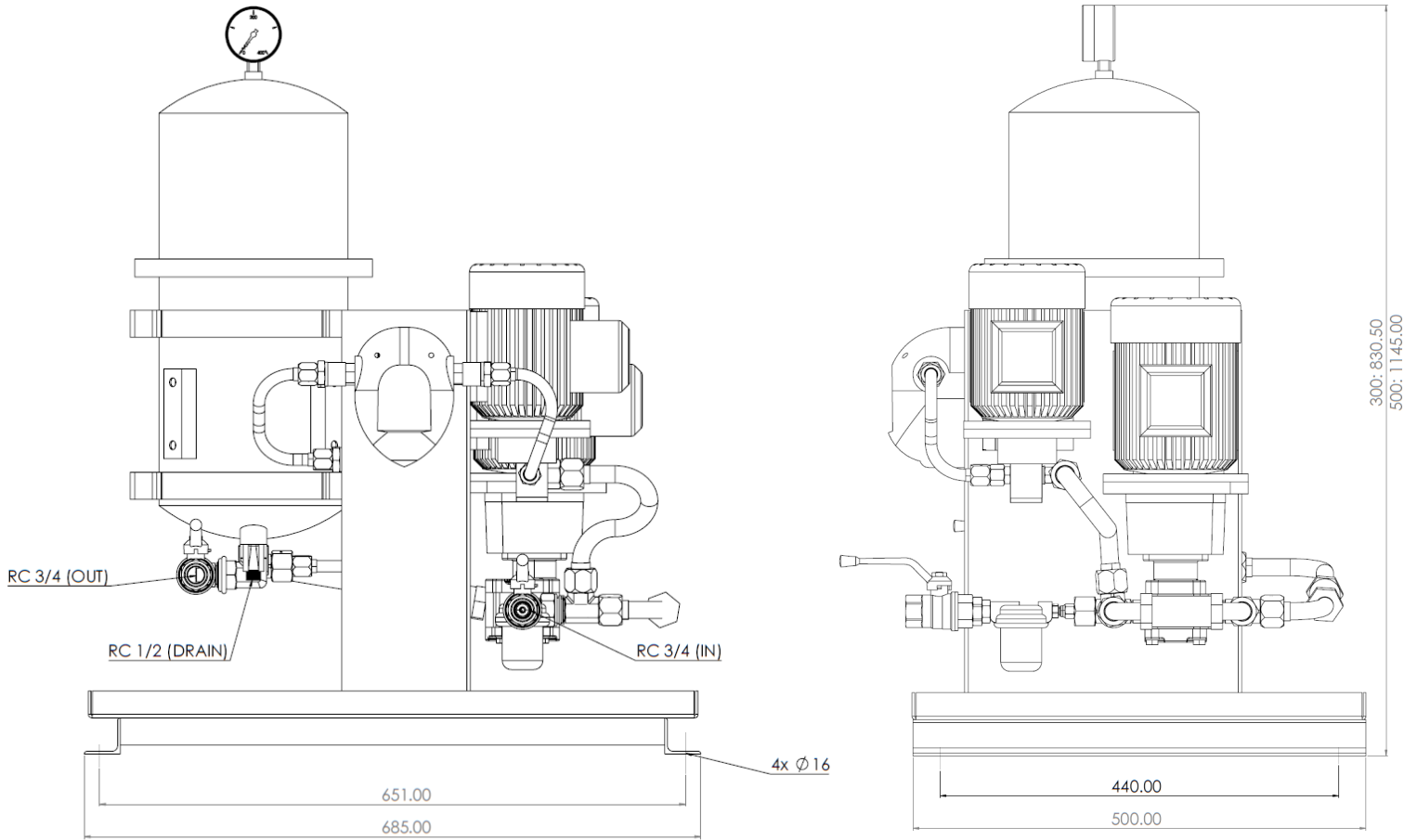


Tank Capacity	Unit size	
	300	500
1,800L		
3,000L		

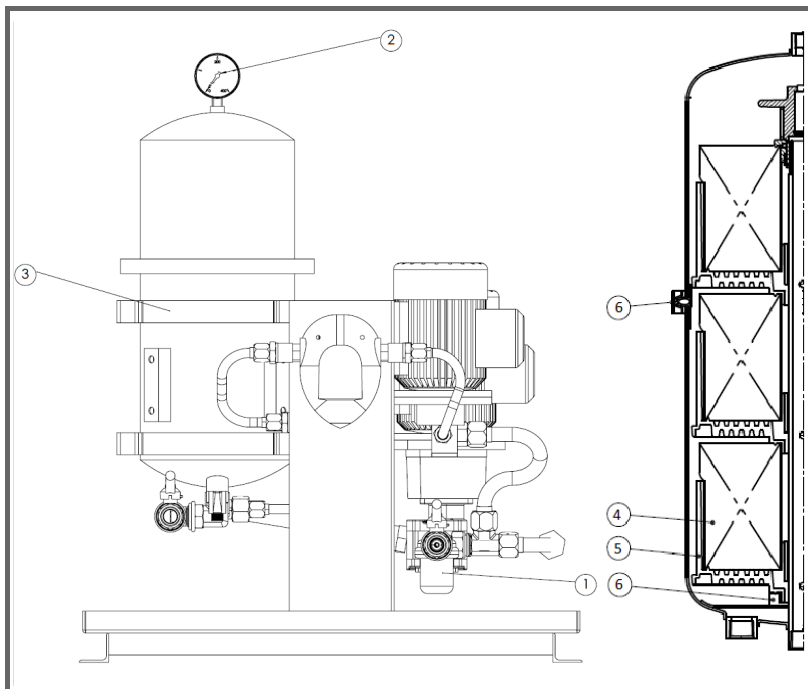
^Based on tank capacity in typical hydraulic power unit applications. Suitability will



Dimensions



Spare Parts List



Item	Description	AF-300	AF-500
1	Suction Filter	TR-21466	TR-21466
2	Gauge	TR-49800	TR-49800
3	V-Band	TR-50030	TR-50030
4	Filter Element	(3X) (See elements, page 4)	(5X) (See elements, page 4)
5	Inner case	TR-50100 (x3)	TR-50100 (x5)
6	Seal kit	TR-44090	TR-44090

a. 54 Indian Drive, Keysborough, Victoria, 3173, Australia

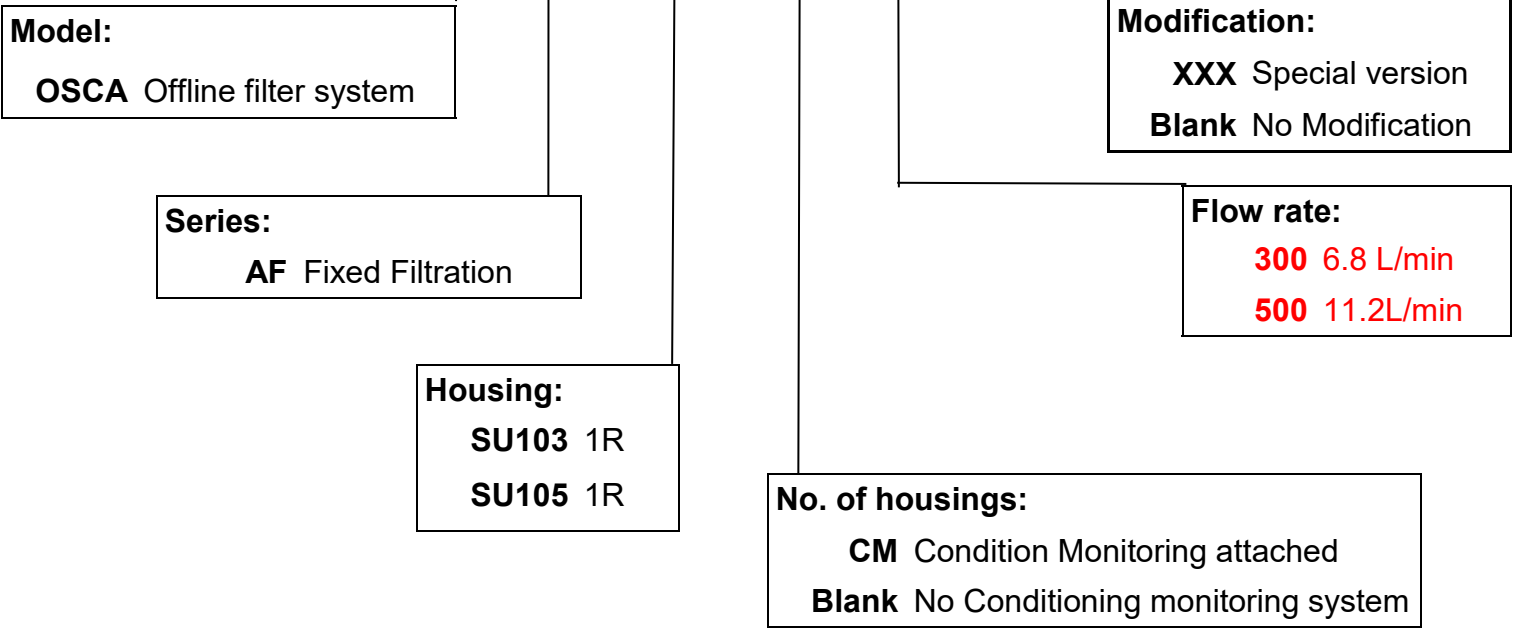
t. +613 5134 5345 | f. +613 5133 9001

e. info@triple-r-filtration.com.au









w. <https://triplerfiltration.com.au/>

Model Code

CS-AF-SU103-CM-300-XXX



Spare Filter Elements

								
	D-Series	M-Series	E-series	E-SP Series	X-Series	WE-Series	WG-Series	DWG-Series
Absolute Rating	3µm	3µm	5µm	5µm	10µm	Water absorbing element	10µm	10µm
Filtration Efficiency	B ₃ > 458	B ₃ ≥ 929	B ₅ > 539	B ₅ > 539	B ₁₀ > 145	N/A	B ₁₀ > 75	B ₅ > 75
Media	Cellulose	Cellulose	Cellulose	Cellulose	Cellulose	Acrylic		
Fluid	Hydraulic & Lube Oils	Hydraulic Oil & Fuels	Hydraulic & Engine Oils	Compressor Fluids	Lube Oil	All oils	Water Glycols	Water Glycols
Features	High Dirt Holding, long life			Resistant to Ammonia		Will hold up to 900 mL of water		High dirt holding
Part Number								
Size 100	TR-20000	TR-20430	TR-20470	TR-20472	TR-25450	TR-20450	TR-25470	TR-25480